

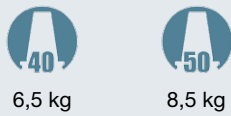
TA16.CPL



caratteristiche/features



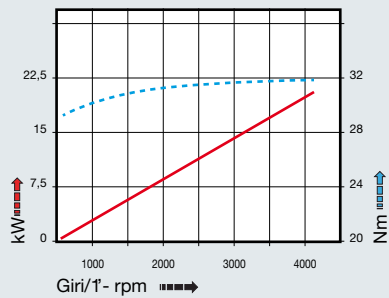
peso/weight



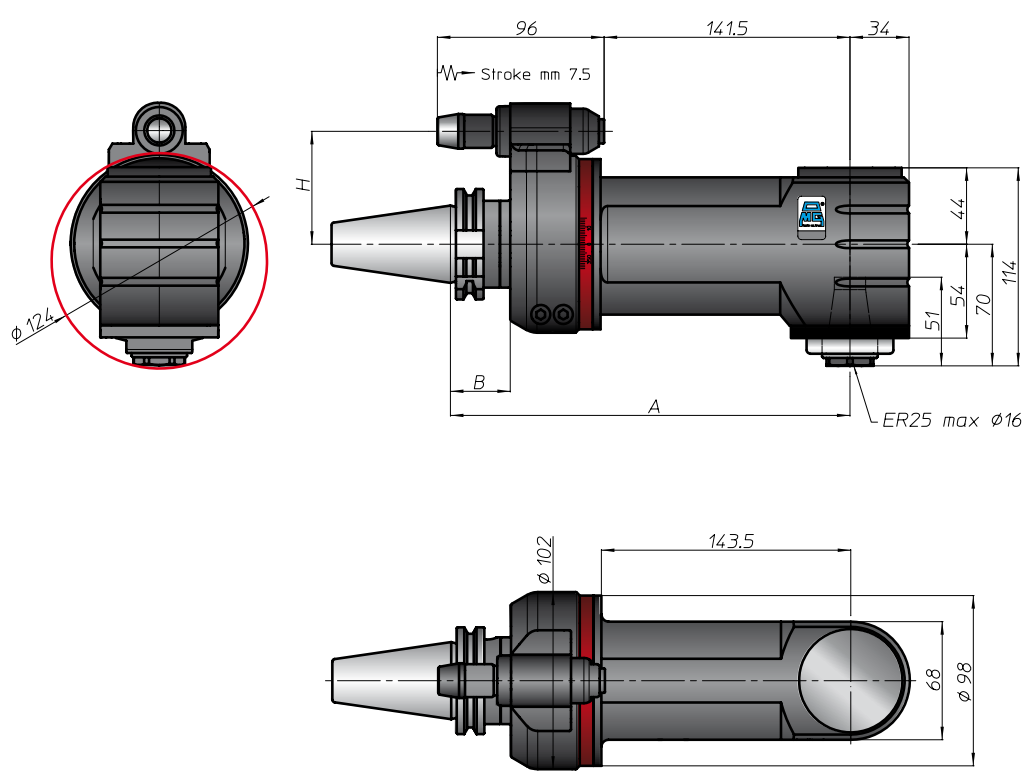
rotazione/rotation



prestazioni/performance



| CONO SHANK | size | A | B | H | |
|------------|------|-----|----|----------|----------|
| | | | | standard | optional |
| DIN69871 | - | 230 | 35 | 65 | - |
| | 40 | | | 80 | - |
| | 45 | | | 80 | - |
| ANSIB5.50 | 40 | 238 | 45 | 65 | - |
| | 50 | | | 80 | - |
| BT | 40 | 239 | 46 | 65 | - |
| | 50 | | | 80 | - |
| HSK | 63 | 239 | 46 | 65 | - |
| | 80 | | | 80 | - |
| | 100 | | | 80 | - |
| ISO26623 | - | - | - | - | - |
| KM | - | - | - | - | - |
| DIN2080 | - | - | - | - | - |
| ANSIB5.18 | - | - | - | - | - |



BAH
TA-CP
TA
MO
HT
VH
TSI/TSX
T
MT-TC-TC3
Accessori
Accessories
Appendice tecnica
Technical supplement

